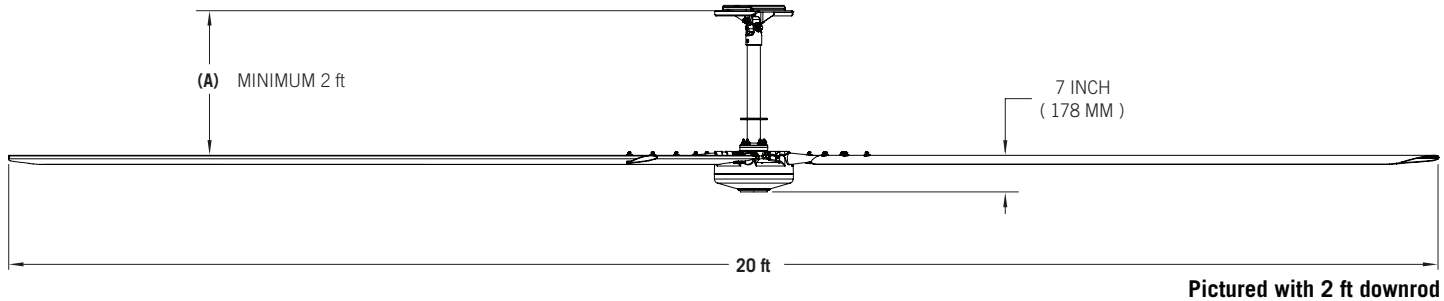


## POWER & EFFICIENCY

INPUT POWER OPTIONS	AC 1PH 200-240V 60Hz   AC 3PH 200-240V 60Hz   AC 3PH 380-480V 60Hz		
CURRENT AT MAX SPEED (Amp)	7.2 - 6.0 A		4.0 - 3.3 A   2.6 - 2.2 A
POWER (hp)	1 HP BLDC Motor		
MAXIMUM SPEED (RPM)	74 RPM		
MAX AFFECTED AREA	125 ft Dia   15,625 sqft		

## DIMENSIONS & WEIGHT

FAN DIAMETER	20 ft
FAN WEIGHT	190 lb (86 kg)



## MOUNTING & SAFETY

MOUNTING OPTIONS	I-beam   Glulam
DOWNROD (A)	Downrods available in 1 ft increments: 2 ft min., 10 ft max. <b>Downrod length must be specified at time of order.</b>
SAFETY FEATURES	Fan Retention System   Airfoil Retention System   Fire Relay

## IN THE BOX

INCLUDED	Fan I-beam mount with pre-wired downrod   Control panel   Install manual Mounting hardware kit   Communication Kit   Guy wire kit
OPTIONAL	Additional cable lengths   BMS Integration   Glulam brackets 350, 500, 700E Series Controller   Environmental Control Solution   Fire Relay

## WARRANTY & CERTIFICATIONS

CERTIFICATIONS	ETL/Intertek-certified to ANSI/UL 507 and CSA C22.2 No. 113 in North America   "AMCA" Certified
WARRANTY <sup>1</sup>	Limited Lifetime Warranty

<sup>1</sup>See complete warranty for details.

